

THREE PHASE
ELECTRIC MOTORS
OPTIMIZED FOR
60 Hz



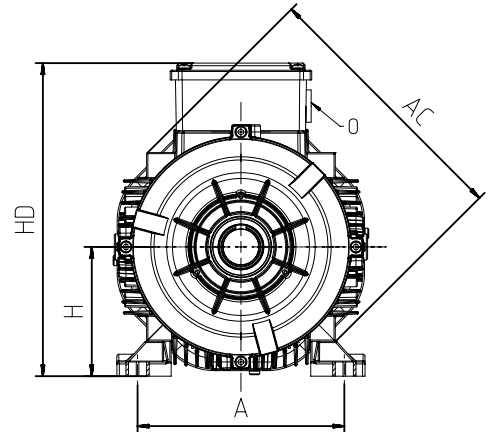
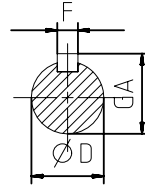
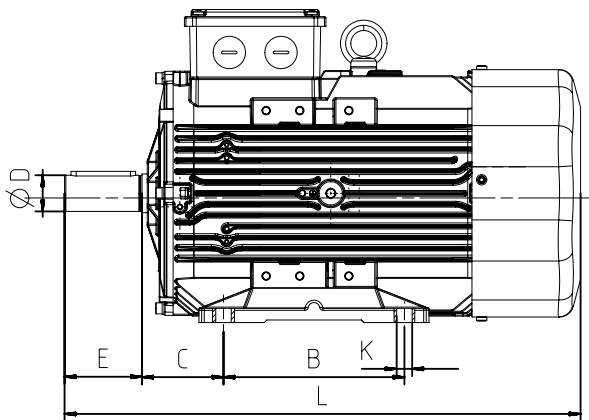
wat.com.tr

ELECTRICAL CHARACTERISTICS AT 60 Hz

MOTOR TYPE	HOUSING TYPE	RATED VALUES					STARTING VALUES				Breakdown Torque Ratio Mk/ Mn	EFFICIENCY *			Cosφ	J kgm ²	Weight [B3] kg	
		POWER		SPEED rpm	CURRENT A	TORQUE Nm	CURRENT		TORQUE			η %	4/4	3/4				2/4
		kW	HP				I _A / I _N	Δ	M _A / M _N	Δ								
2 pole 3600 rpm																		
220/380V	Q3E71M2C30	Aluminium	0.37	1/2	3.468	1.5/0.9	1.0	9.1		5.2		5.8	73.4	79.5	75.5	0.84	0.00028	8
	Q3E71M2D30	Aluminium	0.55	3/4	3.520	2.2/1.3	1.5	10.9		5.7		6.0	76.8	76.2	74.8	0.82	0.00036	10
	Q3H80M2C30	Aluminium	0.75	1.00	3.498	2.8/1.6	2.0	10.1		3.8		4.4	77.0	76.4	75.7	0.87	0.00145	12
	Q3H80M2D30	Aluminium	1.10	1.50	3.520	4.0/2.3	3.0	11.3		4.2		4.7	84.0	82.8	79.2	0.89	0.00174	13
	Q3H90L2C30	Aluminium	1.50	2.00	3.535	5.2/3.0	4.1	11.9		3.4		4.4	85.5	85.1	83.9	0.87	0.00249	17
	Q3H90L2D30	Aluminium	2.20	3.00	3.555	7.6/4.4	5.9	12.0		3.4		4.7	86.5	86.3	83.7	0.86	0.00284	18
	Q3H100L2D30	Aluminium	3.00	4.00	3.530	9.9/5.7	8.1	13.1		4.0		4.9	88.5	87.9	86.2	0.91	0.00539	25
	Q3H112M2C31	Aluminium	4.00	5.50	3.515	13.0/7.5	10.9	11.5		3.1		4.4	88.5	88.3	87.1	0.92	0.00606	32
	Q3E132S2C31	Aluminium	5.50	7.50	3.520	18.2/10.5	15.0	9.4		2.5		4.7	89.5	88.8	86.2	0.92	0.01109	48
Q3E132M2A31	Aluminium	7.50	10.00	3.540	23.5/13.6	20.3	12.4		3.3		12.2	90.2	90.7	89.2	0.91	0.01410	55	
380/660V	Q3E160L2A30	Aluminium	11.00	15.00	3.565	20.5/11.8	29.5		15.4		4.7	5.3	91.0	89.9	87.2	0.9	0.02644	77
	Q3E160L2B30	Aluminium	15.00	20.00	3.567	28.9/16.7	40.1		7.1		5.1	0.5	91.0	90.6	88.6	0.86	0.03317	77
	Q3E160L2C30	Aluminium	18.50	25.00	3.565	34.0/19.6	49.6		14.4		4.9	4.9	91.7	91.6	90.1	0.89	0.04075	90
	Q3H180M2A30	Aluminium	22.00	30.00	3.570	39.0/22.5	58.9		12.6		3.5	3.5	91.7	91.4	90.7	0.91	0.09461	135
	Q3H200L2C30	Aluminium	30.00	40.00	3.564	52.8/30.5	80.5		10.4		2.7	4.4	92.4	93.1	91.9	0.93	0.10373	153
	Q3H200L2D30	Aluminium	37.00	50.00	3.570	66.5/38.3	99.0		12.4		3.6	4.2	93.0	92.7	92.0	0.89	0.11479	165
	Q3E225M2C30	Aluminium	45.00	60.00	3.550	79.7/46.0	121.8		6.9		1.9	3.7	93.6	94.1	93.8	0.92	0.19833	249
	Q3EP250M2D30	Cast Iron	55.00	75.00	3.575	94.4/54.5	147.0		8.6		1.8	3.6	93.9	93.6	92.3	0.93	0.48707	488
	Q3EP280M2C30	Cast Iron	75.00	100.00	3.560	129.1/74.5	201.2		7.2		2.1	5.1	94.1	94.0	93.8	0.94	0.54033	585
Q3EP280M2D30	Cast Iron	90.00	125.00	3.565	156.0/90.1	241.1		7.4		2.5	5.5	95.0	95.0	94.8	0.94	0.64510	596	
4 pole 1800 rpm																		
220/380V	Q3H80M4C30	Aluminium	0.55	3/4	1.745	2.3/1.4	3.0	6.7		2.5		3.4	81.1	80.6	79.2	0.75	0.00220	12
	Q3H80M4D30	Aluminium	0.75	1.00	1.745	3.1/1.8	4.1	7.5		3.2		3.9	85.5	84.0	81.3	0.75	0.00210	12
	Q3H90L4D30	Aluminium	1.10	1.50	1.755	4.7/2.7	6.0	16.1		12.1		14.7	86.5	85.6	82.2	0.72	0.00518	19
	Q3H90L4E30	Aluminium	1.50	2.00	1.748	6.5/3.8	8.2	7.7		3.2		4.4	86.5	85.7	82.6	0.72	0.00492	19
	Q3H100L4E32	Aluminium	2.20	3.00	1.763	8.6/5.0	12.0	10.9		3.7		5.2	86.5	89.4	87.3	0.76	0.01133	35
	Q3H100L4E30	Aluminium	3.00	4.00	1.763	12.0/7.0	16.2	10.1		3.5		5.6	89.5	89.1	86.8	0.73	0.01133	35
	Q3H112M4E31	Aluminium	4.00	5.50	1.757	14.7/8.5	21.9	9.6		2.8		4.4	89.5	89.4	87.4	0.8	0.01592	40
	Q3E132M4D31	Aluminium	5.50	7.50	1.760	19.4/11.2	30.0	7.8		2.3		3.7	91.7	91.5	90.2	0.82	0.02097	66
	Q3H132M4E31	Aluminium	7.50	10.00	1.769	25.1/14.8	40.6		7.1		2.4	3.6	91.7	91.6	90.3	0.85	0.04618	65
380/660V	Q3E160L4AE30	Aluminium	11.00	15.00	1.778	23.3/13.4	59.2		10.4		3.7	3.8	92.4	91.9	90.6	0.78	0.05547	102
	Q3H160L4B30	Aluminium	15.00	20.00	1.777	29.7/17.1	80.6		7.7		2.5	3.2	93.0	92.9	92.1	0.79	0.09137	101
	Q3H180L4A30	Aluminium	18.50	25.00	1.780	34.6/20.0	99.2		10.0		2.8	3.3	93.6	93.0	92.4	0.87	0.18592	145
	Q3H180L4B30	Aluminium	22.00	30.00	1.780	42.1/24.3	118.1		9.5		2.9	2.8	93.6	93.5	92.8	0.84	0.17709	158
	Q3H200L4D30	Aluminium	30.00	40.00	1.778	56.0/32.3	161.2		8.8		2.7	2.7	94.1	94.0	93.1	0.86	0.22223	194
	Q3E225M4D30	Aluminium	37.00	50.00	1.780	71.1/41.1	198.3		10.2		3.8	3.8	94.5	94.1	92.7	0.84	0.36429	280
	Q3E225M4DE30	Aluminium	45.00	60.00	1.780	86.9/50.2	241.2		9.5		3.6	3.7	95.0	94.8	93.8	0.83	0.43513	277
	Q3EP250M4E30	Cast Iron	55.00	75.00	1.791	107.3/61.9	293.4		8.8		2.9	4.7	95.4	95.0	93.9	0.81	0.46270	506
	Q3EP280M4D30	Cast Iron	75.00	100.00	1.790	141.0/81.4	139.6		8.9		9.3	15.2	95.4	95.3	94.5	0.85	1.06114	653
Q3EP280M4DE30	Cast Iron	90.00	125.00	1.790	174.1/100.5	172.7		7.1		6.5	17.5	95.4	95.1	94.4	0.82	1.14768	653	

* According to IEC 60034-2-1

DIMENSION - B3

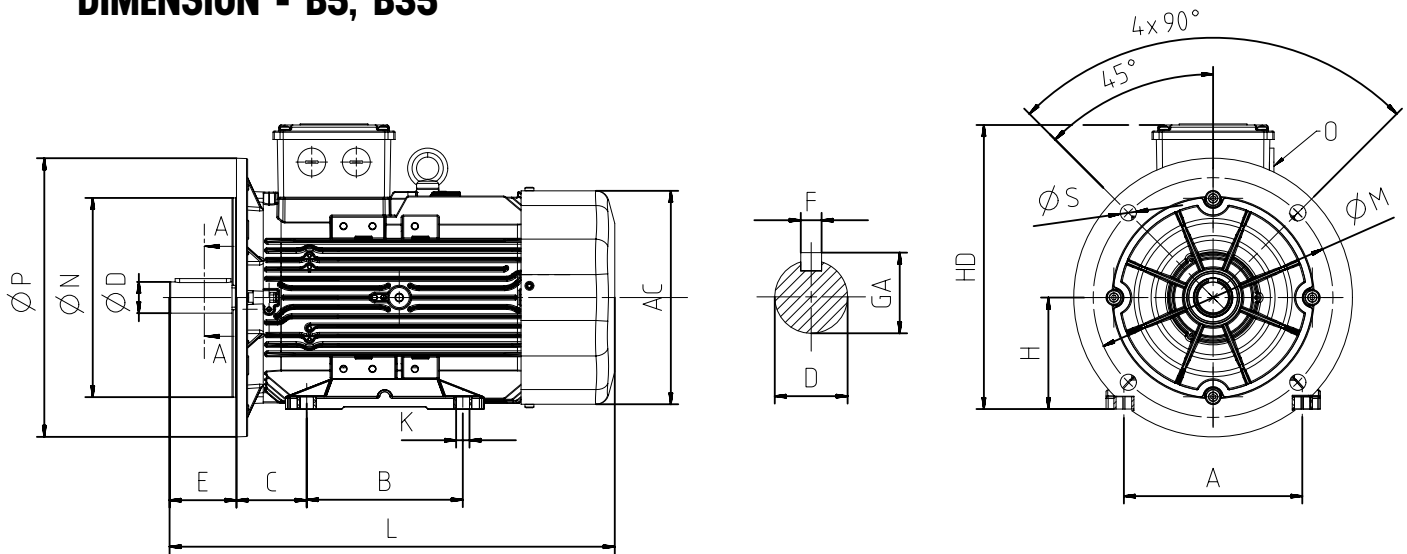


Power [kW]	Number of Poles	Motor Type	Housing Type	Main Dimensions			Foot Mounted Motors						Shaft			Bearing		Seal		
				AC	L	O	B	A	H	HD	K	C	D ⁽¹⁾	E	GA	F ⁽²⁾	Drive Side	Non drive Side	Drive Side	Non drive Side
0.37	2	Q3E71M2C30	Aluminium	138	253	1xM20	90	112	71	190	7	45	14	30	16.00	5	6202-ZZ	6202-ZZ	15*24*5	15*24*5
0.55	2	Q3E71M2D30	Aluminium	138	253	1xM20	90	112	71	190	7	45	14	30	16.00	5	6202-ZZ	6202-ZZ	15*24*5	15*24*5
0.55	4	Q3H80M4C30	Aluminium	158	268	1xM20	100	125	80	215.5	10	50	19	40	21.50	6	6204-ZZ	6204-ZZ	20*30*7	20*30*7
0.75	2	Q3H80M2C30	Aluminium	158	268	1xM20	100	125	80	215.5	10	50	19	40	21.50	6	6204-ZZ	6204-ZZ	20*30*7	20*30*7
0.75	4	Q3H80M4D30	Aluminium	158	268	1xM20	100	125	80	215.5	10	50	19	40	21.50	6	6204-ZZ	6204-ZZ	20*30*7	20*30*7
1.10	2	Q3H80M2D30	Aluminium	158	268	1xM20	100	125	80	215.5	10	50	19	40	21.50	6	6204-ZZ	6204-ZZ	20*30*7	20*30*7
1.10	4	Q3H90L4D30	Aluminium	172	344	1xM25	100-125	140	90	223	10	56	24	50	27.00	8	6305-ZZ	6205-ZZ	25*40*7	25*40*7
1.50	2	Q3H90L2C30	Aluminium	172	344	1xM25	100-125	140	90	223	10	56	24	50	27.00	8	6305-ZZ	6205-ZZ	25*40*7	25*40*7
1.50	4	Q3H90L4E30	Aluminium	172	344	1xM25	100-125	140	90	223	10	56	24	50	27.00	8	6305-ZZ	6205-ZZ	25*40*7	25*40*7
2.20	2	Q3H90L2D30	Aluminium	172	344	1xM25	100-125	140	90	223	10	56	24	50	27.00	8	6305-ZZ	6205-ZZ	25*40*7	25*40*7
2.20	4	Q3H100L4E32	Aluminium	192	422	1xM25	140	160	100	242.5	12	63	28	60	31.00	8	6306-ZZ	6205-ZZ	30*47*7	30*47*7
3.00	2	Q3H100L2D30	Aluminium	192	400	1xM25	140	160	100	242.5	12	63	28	60	31.00	8	6306-ZZ	6205-ZZ	30*47*7	30*47*7
3.00	4	Q3H100L4E30	Aluminium	192	422	1xM25	140	160	100	242.5	12	63	28	60	31.00	8	6306-ZZ	6205-ZZ	30*47*7	30*47*7
4.00	2	Q3H12M2C31	Aluminium	210	396	2xM25	140	190	112	264.5	12	70	28	60	31.00	8	6306-ZZ	6206-ZZ	30*47*7	30*47*7
4.00	4	Q3H12M4E31	Aluminium	210	396	2xM25	140	190	112	264.5	12	70	28	60	31.00	8	6306-ZZ	6206-ZZ	30*47*7	30*47*7
5.50	2	Q3E132S2C31	Aluminium	253	441	2xM32	140-178	216	132	314	12	89	38	80	41.00	10	6208-ZZ	6208-ZZ	40*62*10	40*62*10
5.50	4	Q3E132M4D31	Aluminium	253	476	2xM32	140-178	216	132	314	12	89	38	80	41.00	10	6208-ZZ	6208-ZZ	40*62*10	40*62*10
7.50	2	Q3E132M2A31	Aluminium	253	476	2xM32	140-178	216	132	314	12	89	38	80	41.00	10	6208-ZZ	6208-ZZ	40*62*10	40*62*10
7.50	4	Q3H132M4E31	Aluminium	260	539	2xM32	140-178	216	132	322	12	89	38	80	41.00	10	6208-ZZ	6208-ZZ	40*62*10	40*62*10
11.00	2	Q3E160L2A30	Aluminium	302	576	2xM32	210-254	254	160	360	14.5	108	42	110	45.00	12	6309-ZZ	6209-ZZ	45*72*10	45*72*10
11.00	4	Q3E160L4AE30	Aluminium	302	576	2xM32	210-254	254	160	360	14.5	108	42	110	45.00	12	6309-ZZ	6209-ZZ	45*72*10	45*72*10
15.00	2	Q3E160L2B30	Aluminium	302	576	2xM32	210-254	254	160	360	14.5	108	42	110	45.00	12	6309-ZZ	6209-ZZ	45*72*10	45*72*10
15.00	4	Q3H160L4B30	Aluminium	305	591	2xM32	210-254	254	160	368	14.5	108	42	110	45.00	12	6309-ZZ	6209-ZZ	45*72*10	45*72*10
18.50	2	Q3E160L2C30	Aluminium	302	576	2xM32	210-254	254	160	360	14.5	108	42	110	45.00	12	6309-ZZ	6209-ZZ	45*72*10	45*72*10
18.50	4	Q3H180L4A30	Aluminium	349	696	2xM40	241-279	279	180	437	14.5	121	48	110	51.50	14	6310-ZZ	6310-ZZ	50*80*10	50*80*10
22.00	2	Q3H180M2A30	Aluminium	349	696	2xM40	241-279	279	180	437	14.5	121	48	110	51.50	14	6310-ZZ	6310-ZZ	50*80*10	50*80*10
22.00	4	Q3H180L4B30	Aluminium	349	696	2xM40	241-279	279	180	437	14.5	121	48	110	51.50	14	6310-ZZ	6310-ZZ	50*80*10	50*80*10
30.00	2	Q3H200L2C30	Aluminium	349	706	1xM50	305	318	200	455	18.5	133	55	110	59.00	16	6312-ZZ	6310-ZZ	60*90*10	60*90*10
30.00	4	Q3H200L4D30	Aluminium	349	759	1xM50	305	318	200	455	18.5	133	55	110	59.00	16	6312-ZZ	6310-ZZ	60*90*10	60*90*10
37.00	2	Q3H200L2D30	Aluminium	349	706	1xM50	305	318	200	455	18.5	133	55	110	59.00	16	6312-ZZ	6310-ZZ	60*90*10	60*90*10
37.00	4	Q3E225M4D30	Aluminium	456	765	2xM50	286-311	356	225	485	18.5	149	60	140	64.00	18	6313-ZZ	6313-ZZ	65*100*13	65*100*13
45.00	2	Q3E225M2C30	Aluminium	456	735	2xM50	286-311	356	225	485	18.5	149	55	110	59.00	16	6313-ZZ	6313-ZZ	65*100*13	65*100*13
45.00	4	Q3E225M4DE30	Aluminium	456	765	2xM50	286-311	356	225	485	18.5	149	60	140	64.00	18	6313-ZZ	6313-ZZ	65*100*13	65*100*13
55.00	2	Q3EP250M2D30	Cast Iron	489	893	2xM50	311-349	406	250	616	30	149	65	140	69.00	18	6316-Z	6316-Z	80*100*10	80*100*10
55.00	4	Q3EP250M4E30	Cast Iron	489	893	2xM50	311-349	406	250	616	30	149	65	140	69.00	18	6316-Z	6316-Z	80*100*10	80*100*10
75.00	2	Q3EP280M2C30	Cast Iron	489	1025	2xM50	368-419	457	280	647	24	190	65	140	69.00	18	6316	6316	80*100*10	80*100*10
75.00	4	Q3EP280M4D30	Cast Iron	489	1025	2xM50	368-419	457	280	647	24	190	65	140	69.00	18	6316	6316	80*100*10	80*100*10
90.00	2	Q3EP280M2D30	Cast Iron	489	1025	2xM50	368-419	457	280	647	24	190	65	140	69.00	18	6316	6316	80*100*10	80*100*10
90.00	4	Q3EP280M4DE30	Cast Iron	489	1025	2xM50	368-419	457	280	647	24	190	65	140	69.00	18	6316	6316	80*100*10	80*100*10

(1) Tolerance DIN EN 50347 "j6" up to 28mm, "k6" above 28mm

(2) According to DIN 6885

DIMENSION - B5, B35



Power [kW]	Number of Poles	Motor Type	Housing Type	Main Dimensions			Foot Mounted Motors						Shaft				Bearing		Seal		Flange [FA] [B5]				
				AC	L	O	B	A	H	HD	K	C	D	E	GA	F	Drive Side	Non drive Side	Drive Side	Non drive Side	P	N ⁽³⁾	M	R	S
0.37	2	Q3E7IM2C30	Aluminium	138	253	1xM20	90	112	71	190	7	45	14	30	16.00	5	6202-ZZ	6202-ZZ	15*24*5	15*24*5	160	110	130	-	10
0.55	2	Q3E7IM2D30	Aluminium	138	253	1xM20	90	112	71	190	7	45	14	30	16.00	5	6202-ZZ	6202-ZZ	15*24*5	15*24*5	160	110	130	-	10
0.55	4	Q3H80M4C30	Aluminium	158	268	1xM20	100	125	80	215.5	10	50	19	40	21.50	6	6204-ZZ	6204-ZZ	20*30*7	20*30*7	200	130	165	-	12
0.75	2	Q3H80M2C30	Aluminium	158	268	1xM20	100	125	80	215.5	10	50	19	40	21.50	6	6204-ZZ	6204-ZZ	20*30*7	20*30*7	200	130	165	-	12
0.75	4	Q3H80M4D30	Aluminium	158	268	1xM20	100	125	80	215.5	10	50	19	40	21.50	6	6204-ZZ	6204-ZZ	20*30*7	20*30*7	200	130	165	-	12
1.10	2	Q3H80M2D30	Aluminium	158	268	1xM20	100	125	80	215.5	10	50	19	40	21.50	6	6204-ZZ	6204-ZZ	20*30*7	20*30*7	200	130	165	-	12
1.10	4	Q3H90L4D30	Aluminium	172	344	1xM25	100-125	140	90	223	10	56	24	50	27.00	8	6305-ZZ	6205-ZZ	25*40*7	25*40*7	200	130	165	-	12
1.50	2	Q3H90L2C30	Aluminium	172	344	1xM25	100-125	140	90	223	10	56	24	50	27.00	8	6305-ZZ	6205-ZZ	25*40*7	25*40*7	200	130	165	-	12
1.50	4	Q3H90L4E30	Aluminium	172	344	1xM25	100-125	140	90	223	10	56	24	50	27.00	8	6305-ZZ	6205-ZZ	25*40*7	25*40*7	200	130	165	-	12
2.20	2	Q3H90L2D30	Aluminium	172	344	1xM25	100-125	140	90	223	10	56	24	50	27.00	8	6305-ZZ	6205-ZZ	25*40*7	25*40*7	200	130	165	-	12
2.20	4	Q3H100L4E32	Aluminium	192	422	1xM25	140	160	100	242.5	12	63	28	60	31.00	8	6306-ZZ	6205-ZZ	30*47*7	30*47*7	250	180	215	-	14.5
3.00	2	Q3H100L2D30	Aluminium	192	400	1xM25	140	160	100	242.5	12	63	28	60	31.00	8	6306-ZZ	6205-ZZ	30*47*7	30*47*7	250	180	215	-	14.5
3.00	4	Q3H100L4E30	Aluminium	192	422	1xM25	140	160	100	242.5	12	63	28	60	31.00	8	6306-ZZ	6205-ZZ	30*47*7	30*47*7	250	180	215	-	14.5
4.00	2	Q3H112M2C31	Aluminium	210	396	2xM25	140	190	112	264.5	12	70	28	60	31.00	8	6306-ZZ	6206-ZZ	30*47*7	30*47*7	250	180	215	-	14.5
4.00	4	Q3H112M4E31	Aluminium	210	396	2xM25	140	190	112	264.5	12	70	28	60	31.00	8	6306-ZZ	6206-ZZ	30*47*7	30*47*7	250	180	215	-	14.5
5.50	2	Q3E132S2C31	Aluminium	253	441	2xM32	140-178	216	132	314	12	89	38	80	41.00	10	6208-ZZ	6208-ZZ	40*62*10	40*62*10	300	230	265	-	14.5
5.50	4	Q3E132M4D31	Aluminium	253	476	2xM32	140-178	216	132	314	12	89	38	80	41.00	10	6208-ZZ	6208-ZZ	40*62*10	40*62*10	300	230	265	-	14.5
7.50	2	Q3E132M2A31	Aluminium	253	476	2xM32	140-178	216	132	314	12	89	38	80	41.00	10	6208-ZZ	6208-ZZ	40*62*10	40*62*10	300	230	265	-	14.5
7.50	4	Q3H132M4E31	Aluminium	260	539	2xM32	140-178	216	132	322	12	89	38	80	41.00	10	6208-ZZ	6208-ZZ	40*62*10	40*62*10	300	230	265	-	14.5

(1) Tolerance DIN EN 50347 "j6" up to 28mm, "k6" above 28mm

(2) According to DIN 6885

(3) Tolerance DIN EN 50347 "j6"

THREE PHASE MOTORS

IE3

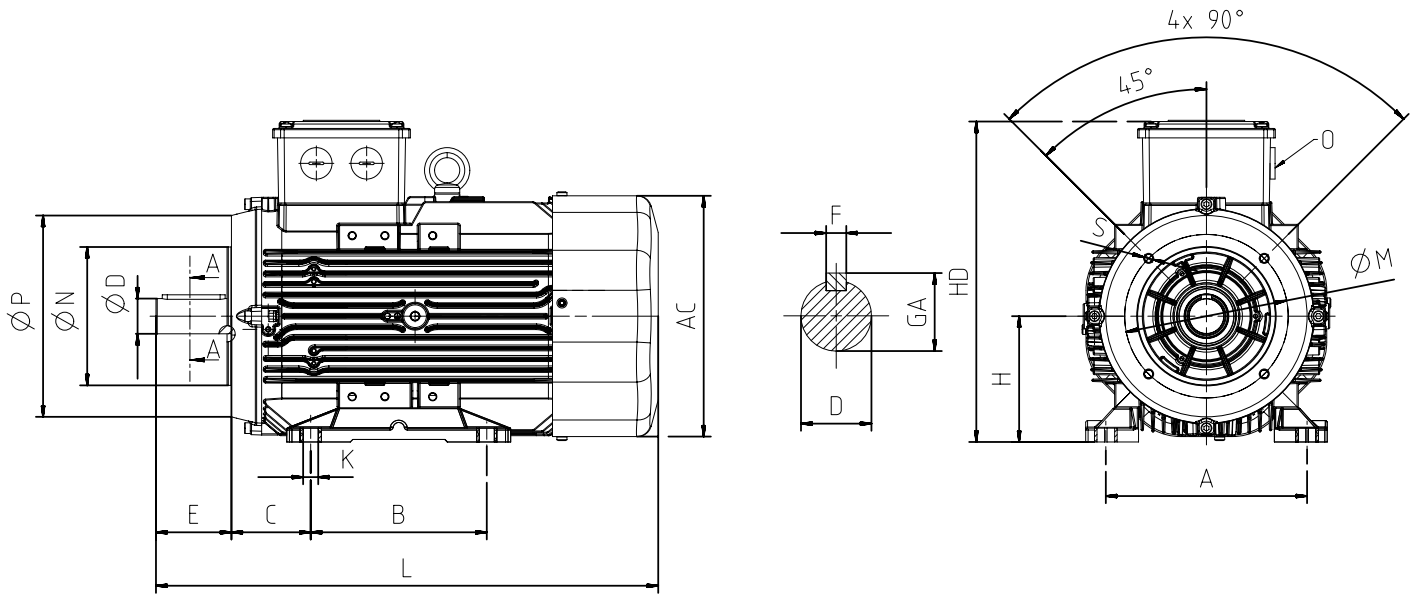
Power [kW]	Number of Poles	Motor Type	Housing Type	Main Dimensions			Foot Mounted Motors						Shaft				Bearing		Seal		Flange [FA] [BS]				
				AC	L	O	B	A	H	HD	K	C	D	E	GA	F	Drive Side	Non drive Side	Drive Side	Non drive Side	P	N ⁽³⁾	M	R	S
11.00	2	Q3E160L2A30	Aluminium	302	576	2xM32	210-254	254	160	360	14.5	108	42	110	45.00	12	6309-ZZ	6209-ZZ	45*72*10	45*72*10	350	250	300	-	18.5
11.00	4	Q3E160L4AE30	Aluminium	302	576	2xM32	210-254	254	160	360	14.5	108	42	110	45.00	12	6309-ZZ	6209-ZZ	45*72*10	45*72*10	350	250	300	-	18.5
15.00	2	Q3E160L2B30	Aluminium	302	576	2xM32	210-254	254	160	360	14.5	108	42	110	45.00	12	6309-ZZ	6209-ZZ	45*72*10	45*72*10	350	250	300	-	18.5
15.00	4	Q3H160L4B30	Aluminium	305	591	2xM32	210-254	254	160	368	14.5	108	42	110	45.00	12	6309-ZZ	6209-ZZ	45*72*10	45*72*10	350	250	300	-	18.5
18.50	2	Q3E160L2C30	Aluminium	302	576	2xM32	210-254	254	160	360	14.5	108	42	110	45.00	12	6309-ZZ	6209-ZZ	45*72*10	45*72*10	350	250	300	-	18.5
18.50	4	Q3H180L4A30	Aluminium	349	696	2xM40	241-279	279	180	437	14.5	121	48	110	51.50	14	6310-ZZ	6310-ZZ	50*80*10	50*80*10	350	250	300	-	18.5
22.00	2	Q3H180M2A30	Aluminium	349	696	2xM40	241-279	279	180	437	14.5	121	48	110	51.50	14	6310-ZZ	6310-ZZ	50*80*10	50*80*10	350	250	300	-	18.5
22.00	4	Q3H180L4B30	Aluminium	349	696	2xM40	241-279	279	180	437	14.5	121	48	110	51.50	14	6310-ZZ	6310-ZZ	50*80*10	50*80*10	350	250	300	-	18.5
30.00	2	Q3H200L2C30	Aluminium	349	706	1xM50	305	318	200	455	18.5	133	55	110	59.00	16	6312-ZZ	6310-ZZ	60*90*10	60*90*10	400	300	350	-	18.5
30.00	4	Q3H200L4D30	Aluminium	349	759	1xM50	305	318	200	455	18.5	133	55	110	59.00	16	6312-ZZ	6310-ZZ	60*90*10	60*90*10	400	300	350	-	18.5
37.00	2	Q3H200L2D30	Aluminium	349	706	1xM50	305	318	200	455	18.5	133	55	110	59.00	16	6312-ZZ	6310-ZZ	60*90*10	60*90*10	400	300	350	-	18.5
37.00	4	Q3E225M4D30	Aluminium	456	765	2xM50	286-311	356	225	485	18.5	149	60	140	64.00	18	6313-ZZ	6313-ZZ	65*100*13	65*100*13	450	350	400	-	18.5
45.00	2	Q3E225M2C30	Aluminium	456	735	2xM50	286-311	356	225	485	18.5	149	55	110	59.00	16	6313-ZZ	6313-ZZ	65*100*13	65*100*13	450	350	400	-	18.5
45.00	4	Q3E225M4DE30	Aluminium	456	765	2xM50	286-311	356	225	485	18.5	149	60	140	64.00	18	6313-ZZ	6313-ZZ	65*100*13	65*100*13	450	350	400	-	18.5
55.00	2	Q3EP250M2D30	Cast Iron	489	893	2xM50	311-349	406	250	616	30	149	65	140	69.00	18	6316-Z	6316-Z	80*100*10	80*100*10	550	450	500	-	18.5
55.00	4	Q3EP250M4E30	Cast Iron	489	893	2xM50	311-349	406	250	616	30	149	65	140	69.00	18	6316-Z	6316-Z	80*100*10	80*100*10	550	450	500	-	18.5
75.00	2	Q3EP280M2C30	Cast Iron	489	1025	2xM50	368-419	457	280	647	24	190	65	140	69.00	18	6316	6316	80*100*10	80*100*10	550	450	500	-	18.5
75.00	4	Q3EP280M4D30	Cast Iron	489	1025	2xM50	368-419	457	280	647	24	190	65	140	69.00	18	6316	6316	80*100*10	80*100*10	550	450	500	-	18.5
90.00	2	Q3EP280M2D30	Cast Iron	489	1025	2xM50	368-419	457	280	647	24	190	65	140	69.00	18	6316	6316	80*100*10	80*100*10	550	450	500	-	18.5
90.00	4	Q3EP280M4DE30	Cast Iron	489	1025	2xM50	368-419	457	280	647	24	190	65	140	69.00	18	6316	6316	80*100*10	80*100*10	550	450	500	-	18.5

(1) Tolerance DIN EN 50347 "j6" up to 28mm, "k6" above 28mm

(2) According to DIN 6885

(3) Tolerance DIN EN 50347 "j6"

DIMENSION - B14a, B34a



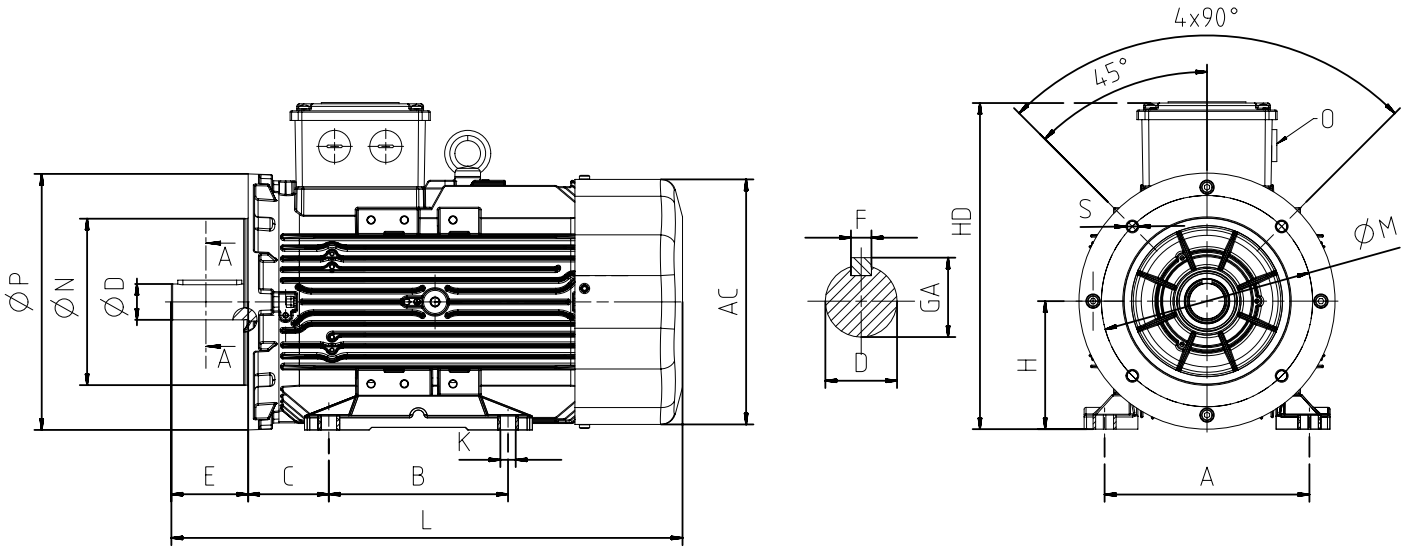
Power [kW]	Number of Poles	Motor Type	Housing Type	Main Dimensions			Foot Mounted Motors						Shaft				Bearing		Seal		Flange (FC) (B14a)				
				AC	L	O	B	A	H	HD	K	C	D	E	GA	F	Drive Side	Non drive Side	Drive Side	Non drive Side	P	N ⁽²⁾	M	R	S
0.37	2	Q3E71M2C30	Aluminium	138	253	1xM20	90	112	71	190	7	45	14	30	16.00	5	6202-ZZ	6202-ZZ	15*24*5	15*24*5	105	70	85	-	M6
0.55	2	Q3E71M2D30	Aluminium	138	253	1xM20	90	112	71	190	7	45	14	30	16.00	5	6202-ZZ	6202-ZZ	15*24*5	15*24*5	105	70	85	-	M6
0.55	4	Q3H80M4C30	Aluminium	158	268	1xM20	100	125	80	215.5	10	50	19	40	21.50	6	6204-ZZ	6204-ZZ	20*30*7	20*30*7	120	80	100	-	M6
0.75	2	Q3H80M2C30	Aluminium	158	268	1xM20	100	125	80	215.5	10	50	19	40	21.50	6	6204-ZZ	6204-ZZ	20*30*7	20*30*7	120	80	100	-	M6
0.75	4	Q3H80M4D30	Aluminium	158	268	1xM20	100	125	80	215.5	10	50	19	40	21.50	6	6204-ZZ	6204-ZZ	20*30*7	20*30*7	120	80	100	-	M6
1.10	2	Q3H80M2D30	Aluminium	158	268	1xM20	100	125	80	215.5	10	50	19	40	21.50	6	6204-ZZ	6204-ZZ	20*30*7	20*30*7	120	80	100	-	M6
1.10	4	Q3H90L4D30	Aluminium	172	344	1xM25	100-125	140	90	223	10	56	24	50	27.00	8	6305-ZZ	6205-ZZ	25*40*7	25*40*7	140	95	115	-	M8
1.50	2	Q3H90L2C30	Aluminium	172	344	1xM25	100-125	140	90	223	10	56	24	50	27.00	8	6305-ZZ	6205-ZZ	25*40*7	25*40*7	140	95	115	-	M8
1.50	4	Q3H90L4E30	Aluminium	172	344	1xM25	100-125	140	90	223	10	56	24	50	27.00	8	6305-ZZ	6205-ZZ	25*40*7	25*40*7	140	95	115	-	M8
2.20	2	Q3H90L2D30	Aluminium	172	344	1xM25	100-125	140	90	223	10	56	24	50	27.00	8	6305-ZZ	6205-ZZ	25*40*7	25*40*7	140	95	115	-	M8
2.20	4	Q3H100L4E32	Aluminium	192	422	1xM25	140	160	100	242.5	12	63	28	60	31.00	8	6306-ZZ	6205-ZZ	30*47*7	30*47*7	160	110	130	-	M8
3.00	2	Q3H100L2D30	Aluminium	192	400	1xM25	140	160	100	242.5	12	63	28	60	31.00	8	6306-ZZ	6205-ZZ	30*47*7	30*47*7	160	110	130	-	M8
3.00	4	Q3H100L4E30	Aluminium	192	422	1xM25	140	160	100	242.5	12	63	28	60	31.00	8	6306-ZZ	6205-ZZ	30*47*7	30*47*7	160	110	130	-	M8
4.00	2	Q3H112M2C31	Aluminium	210	396	2xM25	140	190	112	264.5	12	70	28	60	31.00	8	6306-ZZ	6206-ZZ	30*47*7	30*47*7	160	110	130	-	M8
4.00	4	Q3H112M4E31	Aluminium	210	396	2xM25	140	190	112	264.5	12	70	28	60	31.00	8	6306-ZZ	6206-ZZ	30*47*7	30*47*7	160	110	130	-	M8
5.50	2	Q3E132S2C31	Aluminium	253	441	2xM32	140-178	216	132	314	12	89	38	80	41.00	10	6208-ZZ	6208-ZZ	40*62*10	40*62*10	200	130	165	-	M10
5.50	4	Q3E132M4D31	Aluminium	253	476	2xM32	140-178	216	132	314	12	89	38	80	41.00	10	6208-ZZ	6208-ZZ	40*62*10	40*62*10	200	130	165	-	M10
7.50	2	Q3E132M2A31	Aluminium	253	476	2xM32	140-178	216	132	314	12	89	38	80	41.00	10	6208-ZZ	6208-ZZ	40*62*10	40*62*10	200	130	165	-	M10
7.50	4	Q3H132M4E31	Aluminium	260	539	2xM32	140-178	216	132	322	12	89	38	80	41.00	10	6208-ZZ	6208-ZZ	40*62*10	40*62*10	200	130	165	-	M10

(1) Tolerance DIN EN 50347 "j6" up to 28mm, "k6" above 28mm

(2) According to DIN 6885

(3) Tolerance DIN EN 50347 "j6"

DIMENSION - B14b, B34b



Power [kW]	Number of Poles	Motor Type	Housing Type	Main Dimensions			Foot Mounted Motors						Shaft				Bearing		Seal		Flange [FC] [B14a]				
				AC	L	O	B	A	H	HD	K	C	D	E	GA	F	Drive Side	Non drive Side	Drive Side	Non drive Side	P	N ⁽³⁾	M	R	S
0.37	2	Q3E71M2C30	Aluminium	138	253	1xM20	90	112	71	190	7	45	14	30	16.00	5	6202-ZZ	6202-ZZ	15*24*5	15*24*5	140	95	115	-	M8
0.55	2	Q3E71M2D30	Aluminium	138	253	1xM20	90	112	71	190	7	45	14	30	16.00	5	6202-ZZ	6202-ZZ	15*24*5	15*24*5	140	95	115	-	M8
0.55	4	Q3H80M4C30	Aluminium	158	268	1xM20	100	125	80	215.5	10	50	19	40	21.50	6	6204-ZZ	6204-ZZ	20*30*7	20*30*7	160	110	130	-	M8
0.75	2	Q3H80M2C30	Aluminium	158	268	1xM20	100	125	80	215.5	10	50	19	40	21.50	6	6204-ZZ	6204-ZZ	20*30*7	20*30*7	160	110	130	-	M8
0.75	4	Q3H80M4D30	Aluminium	158	268	1xM20	100	125	80	215.5	10	50	19	40	21.50	6	6204-ZZ	6204-ZZ	20*30*7	20*30*7	160	110	130	-	M8
1.10	2	Q3H80M2D30	Aluminium	158	268	1xM20	100	125	80	215.5	10	50	19	40	21.50	6	6204-ZZ	6204-ZZ	20*30*7	20*30*7	160	110	130	-	M8
1.10	4	Q3H90L4D30	Aluminium	172	344	1xM25	100-125	140	90	223	10	56	24	50	27.00	8	6305-ZZ	6205-ZZ	25*40*7	25*40*7	160	110	130	-	M8
1.50	2	Q3H90L2C30	Aluminium	172	344	1xM25	100-125	140	90	223	10	56	24	50	27.00	8	6305-ZZ	6205-ZZ	25*40*7	25*40*7	160	110	130	-	M8
1.50	4	Q3H90L4E30	Aluminium	172	344	1xM25	100-125	140	90	223	10	56	24	50	27.00	8	6305-ZZ	6205-ZZ	25*40*7	25*40*7	160	110	130	-	M8
2.20	2	Q3H90L2D30	Aluminium	172	344	1xM25	100-125	140	90	223	10	56	24	50	27.00	8	6305-ZZ	6205-ZZ	25*40*7	25*40*7	160	110	130	-	M8
2.20	4	Q3H100L4E32	Aluminium	192	422	1xM25	140	160	100	242.5	12	63	28	60	31.00	8	6306-ZZ	6205-ZZ	30*47*7	30*47*7	200	130	165	-	M10
3.00	2	Q3H100L2D30	Aluminium	192	400	1xM25	140	160	100	242.5	12	63	28	60	31.00	8	6306-ZZ	6205-ZZ	30*47*7	30*47*7	200	130	165	-	M10
3.00	4	Q3H100L4E30	Aluminium	192	422	1xM25	140	160	100	242.5	12	63	28	60	31.00	8	6306-ZZ	6205-ZZ	30*47*7	30*47*7	200	130	165	-	M10
4.00	2	Q3H112M2C31	Aluminium	210	396	2xM25	140	190	112	264.5	12	70	28	60	31.00	8	6306-ZZ	6206-ZZ	30*47*7	30*47*7	200	130	165	-	M10
4.00	4	Q3H112M4E31	Aluminium	210	396	2xM25	140	190	112	264.5	12	70	28	60	31.00	8	6306-ZZ	6206-ZZ	30*47*7	30*47*7	200	130	165	-	M10
5.50	2	Q3E132S2C31	Aluminium	253	441	2xM32	140-178	216	132	314	12	89	38	80	41.00	10	6208-ZZ	6208-ZZ	40*62*10	40*62*10	250	180	215	-	M12
5.50	4	Q3E132M4D31	Aluminium	253	476	2xM32	140-178	216	132	314	12	89	38	80	41.00	10	6208-ZZ	6208-ZZ	40*62*10	40*62*10	250	180	215	-	M12
7.50	2	Q3E132M2A31	Aluminium	253	476	2xM32	140-178	216	132	314	12	89	38	80	41.00	10	6208-ZZ	6208-ZZ	40*62*10	40*62*10	250	180	215	-	M12
7.50	4	Q3H132M4E31	Aluminium	260	539	2xM32	140-178	216	132	322	12	89	38	80	41.00	10	6208-ZZ	6208-ZZ	40*62*10	40*62*10	250	180	215	-	M12

(1) Tolerance DIN EN 50347 "j6" up to 28mm, "k6" above 28mm

(2) According to DIN 6885

(3) Tolerance DIN EN 50347 "j6"



WAT MOTOR SANAYİ ve TİCARET A.Ş.
KARAAĞAÇ MAHALLESİ 8. SOKAK NO: 4 A/2
KAPAKLI 59510 TEKİRDAĞ, TURKEY

LIAISON OFFICE
SÜTLÜCE MAHALLESİ KARAAĞAÇ CADDESİ NO: 2-6
BEYOĞLU 34445 İSTANBUL, TURKEY



CALL CENTER
+90 850 399 4 928
wat.com.tr | sales@wat.com.tr

WAT | IM60 en 200